

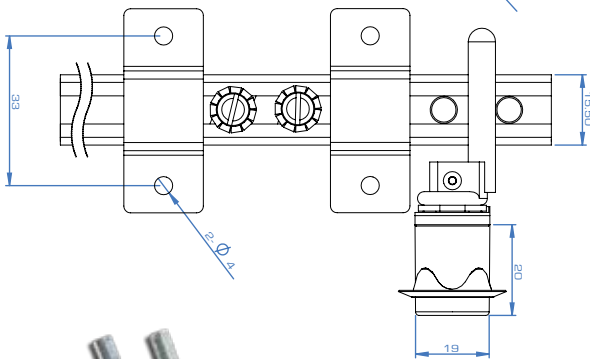
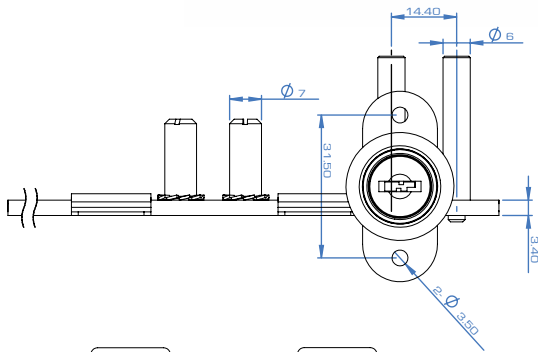


LOCKS

LOCKS



PEDESTAL LOCKING SYSTEM



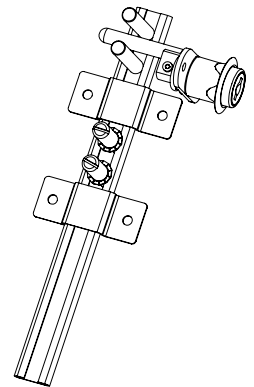
PEDESTAL LOCK SETS

BR/MK*:

- 600 mm
- 1200 mm

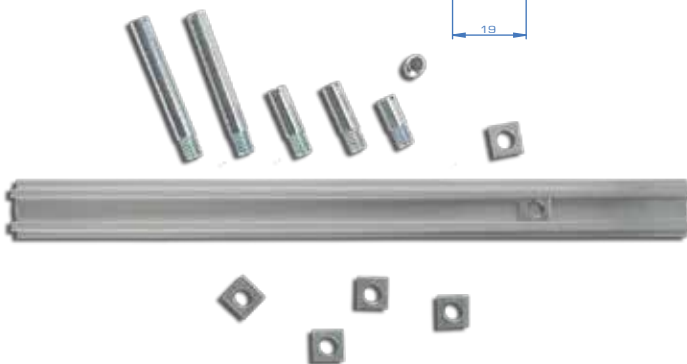
sets include:

- 1 x Adjustable C bar
- 1 x Lock (19 mm Ø)
- 3 x Pegs
- 2 x Bar Guides



ADJUSTABLE COMPONENTS

- C-Bar (3m)
- 16 mm Pin
- 22 mm Pin
- 45 mm Pin
- Pressed Nut



* KA = Keyed like * MK = Master Keyed * BR = Barrel Removable