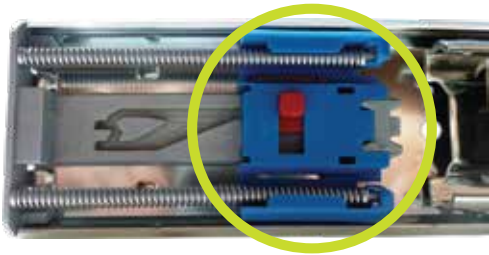




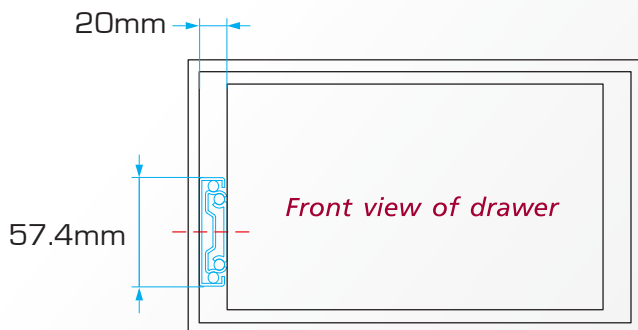
BALL BEARING SLIDES

7331 TOUCH OPEN FULL EXTENSION 68KG*



SPECIFICATIONS:

- Features: 32mm hole pattern
"Touch Open" device incorporated
Disconnect lever for quick drawer removal
- Other: Tested for 50 000 cycles - (BIFMA)
- Clearance: 19.5 - 20mm side clearance
Height - 57.4mm
- Finish: Zinc plated
- Length (mm):
- PR/Box: 6 pairs



*based on 450mm slide

